

6 poles - 1000/1200 rpm

	Description				Mechanical specifications								Electrical specifications							
	Code	Type	SIZE	Certifications	Static moment* kgmm		Centrifugal force				Weight kg		Max input power W		Power rating W		Max. current A			
					50 Hz	60 Hz	50 Hz	60 Hz	50 Hz	60 Hz	50 Hz	60 Hz	50 Hz	60 Hz	50 Hz	60 Hz	50 Hz	60 Hz	400 V 50 Hz	460 V 60 Hz
three-phase	602315	CDX 10/40-G/D	10	•	30.1	30.1	35.0	49.0	0.331	0.476	11.5	11.5	120	135	50	90	0.30	0.30	1.90	2.07
	602316	CDX 10/100-G/D	10	•	84.2	84.2	94.3	136	0.925	1.33	14.0	14.0	120	135	50	90	0.30	0.30	1.90	2.07
	602317	CDX 10/200-G/D	20	•	163	163	183	264	1.80	2.59	21.4	21.4	185	205	100	120	0.50	0.50	2.72	3.10
	602318	CDX 10/310-G/D	30	•	286	209	321	338	3.15	3.32	30.3	29.0	350	380	220	270	0.72	0.68	2.63	2.79
	602320	CDX 10/550-G/D	35	• • • •	457	457	512	737	5.02	7.23	47.5	47.5	300	310	220	230	0.57	0.61	3.89	3.77
	602325	CDX 10/810-G/D	40	• • •	723	561	809	905	7.94	8.88	70.7	65.4	570	680	370	442	1.24	1.30	4.00	3.69
	602274	CDX 10/1110-G/D	50	• • •	1012	715	1132	1151	11.1	11.3	79.0	72.0	700	870	483	548	1.52	1.65	4.15	4.24
	602277	CDX 10/1610-G/D	60	• • • •	1464	962	1638	1549	16.1	15.2	109	98.0	1040	1250	738	913	2.09	2.10	4.93	5.24
	602280	CDX 10/2610-G/D	70	• • • •	2326	1706	2601	2747	25.5	26.9	144	130	1725	1800	1470	1470	3.80	3.70	5.40	6.03
	602365	CDX 10/3810-G/D	80	• • •	3422	2380	3826	3831	37.5	37.6	200	182	2100	2300	1700	1850	4.75	4.75	4.19	4.67
602201	CDX 10/22000-G	110	• •	20025	12553	22386	20208	220	198	928	898	15600	19000	11800	14700	25.2	25.5	5.70	5.88	

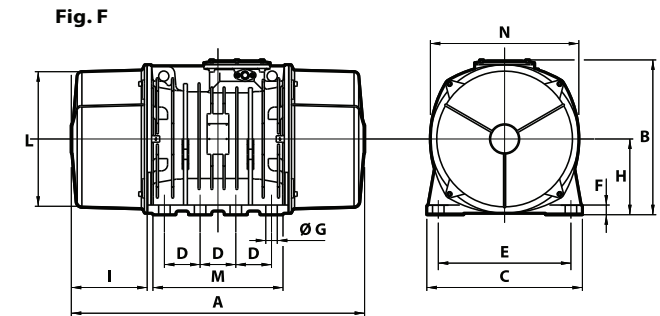
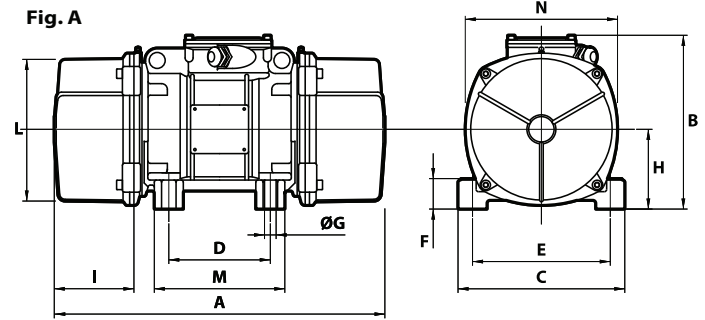
8 poles - 750/900 rpm

	Description				Mechanical specifications								Electrical specifications							
	Code	Type	SIZE	Certifications	Static moment* kgmm		Centrifugal force				Weight kg		Max input power W		Power rating W		Max. current A			
					50 Hz	60 Hz	50 Hz	60 Hz	50 Hz	60 Hz	50 Hz	60 Hz	50 Hz	60 Hz	50 Hz	60 Hz	50 Hz	60 Hz	400 V 50 Hz	460 V 60 Hz
three-phase	602576	CDX 075/150-G/D	20	•	163	163	104	149	1.02	1.46	21.4	21.4	230	250	110	120	0.85	0.76	2.13	2.11
	602577	CDX 075/250-G/D	30	•	286	286	181	260	1.76	2.55	30.3	30.3	350	380	190	210	1.10	1.05	2.03	2.29
	602578	CDX 075/400-G/D	35	• • • •	457	457	288	415	2.83	4.07	47.5	47.5	300	300	150	150	0.57	0.58	2.47	2.50
	602581	CDX 075/660-G/D	40	• • •	723	723	456	656	4.47	6.44	70.7	70.7	340	340	184	184	0.87	0.90	2.87	3.11
	602552	CDX 075/910-G/D	50	• • •	1012	1012	637	917	6.25	9.00	77.0	77.0	420	500	231	260	1.00	1.10	2.91	2.91
	602555	CDX 075/1310-G/D	60	• • • •	1464	1464	922	1327	9.04	13.0	109	109	750	850	480	560	1.52	1.90	3.68	3.05
	602558	CDX 075/2110-G/D	70	• • • •	2326	2326	1463	2107	14.4	20.7	144	144	1480	1500	1036	1100	3.52	3.45	3.58	3.91
	602602	CDX 075/3110-G/D	80	• • •	3421	3421	2152	3099	21.1	30.4	196	196	1850	2100	1320	1400	4.85	5.00	4.21	4.70
	602513	CDX 075/22000-G	110	• •	28633	24508	18005	22192	177	218	1015	981	10000	13000	8100	10300	21.4	22.0	6.97	5.50

* Working moment = 2 x static moment. I_a/I_N = ratio between start-up current and maximum current.

6 poles - 1000/1200 rpm

	Type	Dimensional specifications (mm)														Pipe thread not supplied
		Fig.	Holes													
			A	B	C	D	E	øG	N°	F	H	I	L	M	N	
three-phase	CDX 10/40-G/D	A	255	191	152	90	125	13	4	28	77.5	54	130	128	150	NPT 1/2"
	CDX 10/100-G/D	A	301	191	152	90	125	13	4	28	77.5	77	130	128	150	NPT 1/2"
	CDX 10/200-G/D	A	350	218	167	105	140	13	4	30	90	96	150	140	175	NPT 1/2"
	CDX 10/310-G/D	A	394	230.5	205	120	170	17	4	45	102	106	177	162	200	NPT 1/2"
	CDX 10/550-G/D	A	446	248.5	210	120	170	17	4	52	112	118	192	160	218	NPT 3/4"
	CDX 10/810-G/D	A	520 (50Hz) 468 (60Hz)	278.5	235	140	190	17	4	65	116	134 (50Hz) 108 (60Hz)	210	185	225	NPT 3/4"
	CDX 10/1110-G/D	A	594 (50Hz) 520 (60Hz)	278.5	235	140	190	22	4	65	116	171 (50Hz) 134 (60Hz)	210	185	225	NPT 3/4"
	CDX 10/1610-G/D	A	634 (50Hz) 572 (60Hz)	312	270	155	225	22	4	52	135	177 (50Hz) 146 (60Hz)	238.5	200	253	NPT 3/4"
	CDX 10/2610-G/D	A	676	342.5	310	155	255	23.5	4	65	155	178	279	210	295	NPT 3/4"
	CDX 10/3810-G/D	A	734	367	335	180	280	25	4	70	175	202	303	235	320	NPT 3/4"
	CDX 10/22000-G	F	1150	607	610	140	520	45	8	38	297	297.5	542	510	582	NPT 1"



8 poles - 750/900 rpm

	Type	Dimensional specifications (mm)														Pipe thread not supplied	
		Fig.	Holes														
			A	B	C	D	E	øG	N°	F	H	I	L	M	N		
three-phase	CDX 075/150-G/D	A	350	218	167	105	140	13	4	30	90	96	150	140	175	NPT 1/2"	
	CDX 075/250-G/D	A	394	230.5	205	120	170	17	4	45	102	106	177	162	200	NPT 1/2"	
	CDX 075/400-G/D	A	446	248.5	210	120	170	17	4	52	112	118	192	160	218	NPT 3/4"	
	CDX 075/660-G/D	A	520	278.5	235	140	190	17	4	65	116	134	210	185	225	NPT 3/4"	
	CDX 075/910-G/D	A	594	278.5	235	140	190	22	4	65	116	171	210	185	225	NPT 3/4"	
	CDX 075/1310-G/D	A	634	312	270	155	225	22	4	52	135	177	238.5	200	253	NPT 3/4"	
	CDX 075/2110-G/D	A	676	342.5	310	155	255	23.5	4	65	155	178	279	210	295	NPT 3/4"	
	CDX 075/3110-G/D	A	734	367	335	180	280	25	4	70	175	202	303	235	320	NPT 3/4"	
		CDX 075/22000-G	F	1150	607	610	140	520	45	8	38	297	297.5	542	510	582	NPT 1"

Several sizes are available with different mounting bolt patterns. Please contact sales office at Italvibras.